

GNSS MULTI BAND Antenna

The GNSS MULTI BAND Antenna provides multi GPS L1/L2/L5, GLONASS G1/G2/G3, Beidou B1/B2, Galileo E1/E5a+b plus L-band correction services coverage and is especially designed for precision multi frequency positioning. It provides superior multi-path signal rejection, a linear phase response, and tight Phase Centre Variation (PCV).

Included in delivery is a Meinberg GNSS MULTI BAND Antenna incl. mounting kit, pre-assembled antenna cable and optional a Surge Voltage Protector MBG S-PRO.

This antenna is ideal for precision timing applications and other applications where precision matters. It features a precision tuned, twin circular dual feed, stacked patch element. The signals from the two orthogonal feeds are combined in a hybrid combiner, amplified in a wide-band LNA, then band-split for narrow filtering in each band and further amplified prior to recombination at the output.

The antenna also has a strong pre-filter to mitigate inter-modulated signal interference from LTE and other cellular bands. The antenna offers excellent axial ratio and a tightly grouped phase center variation and covers from 1164 MHz to 1254 MHz and 1525 MHz to 1606 MHz.



Key Features

- Antenna connected with up to 70 m of Coax Cable Type Belden H155
- Antenna Mounting Kit
- Pre-assembled Antenna Cable

GNSS Reception

GNSS reception can only be reliable if the antenna has a free view of the sky, therefore it needs to be installed at a suitable location, e.g. on a rooftop. The unit is remotely powered by the connected GNM receiver (via the antenna cable).

Mounting material (plastic pole and holders, clamps for wall or pole mounting) is shipped with all Meinberg GPS antennas for easy installation. A standard cable of 20 meters is included. Please specify your order, if you need a different cable length.

Characteristics GNSS MULTI BAND Antenna

Frequency ranges: 1164 MHz to 1254 MHz and 1525 MHz to 1606 MHz

Overall LNA Gain: 37 dB typ, 35 dB min

LNA Noise Figure: 2.5 dB typ at 25 °C

Out-of-Band Rejection:

Freq. Band L5/E5/L2/G2	Frequency	Gain
	< 1050 MHz	> 45 dB
	< 1125 MHz	> 30 dB
	> 1350 MHz	> 45 dB

Freq. Band L1/E1/B1/G1	Frequency	Gain
	< 1450 MHz	> 30 dB
	> 1690 MHz	> 30 dB
	> 1730 MHz	> 40 dB

Antenna connector: type-N connector

Power supply: 5 V to 16 V, @ 24 mA (provided via antenna cable)

Form Factor: ABS plastic case for outdoor installation (IP66)

Product Weight: 1.6 kg (3.53 lbs) with mounting kit (Antenna cable 0.1 kg (0.22 lbs) / meter)

Ambient temperature: -40 to 85 °C (-40 to 185 °F)

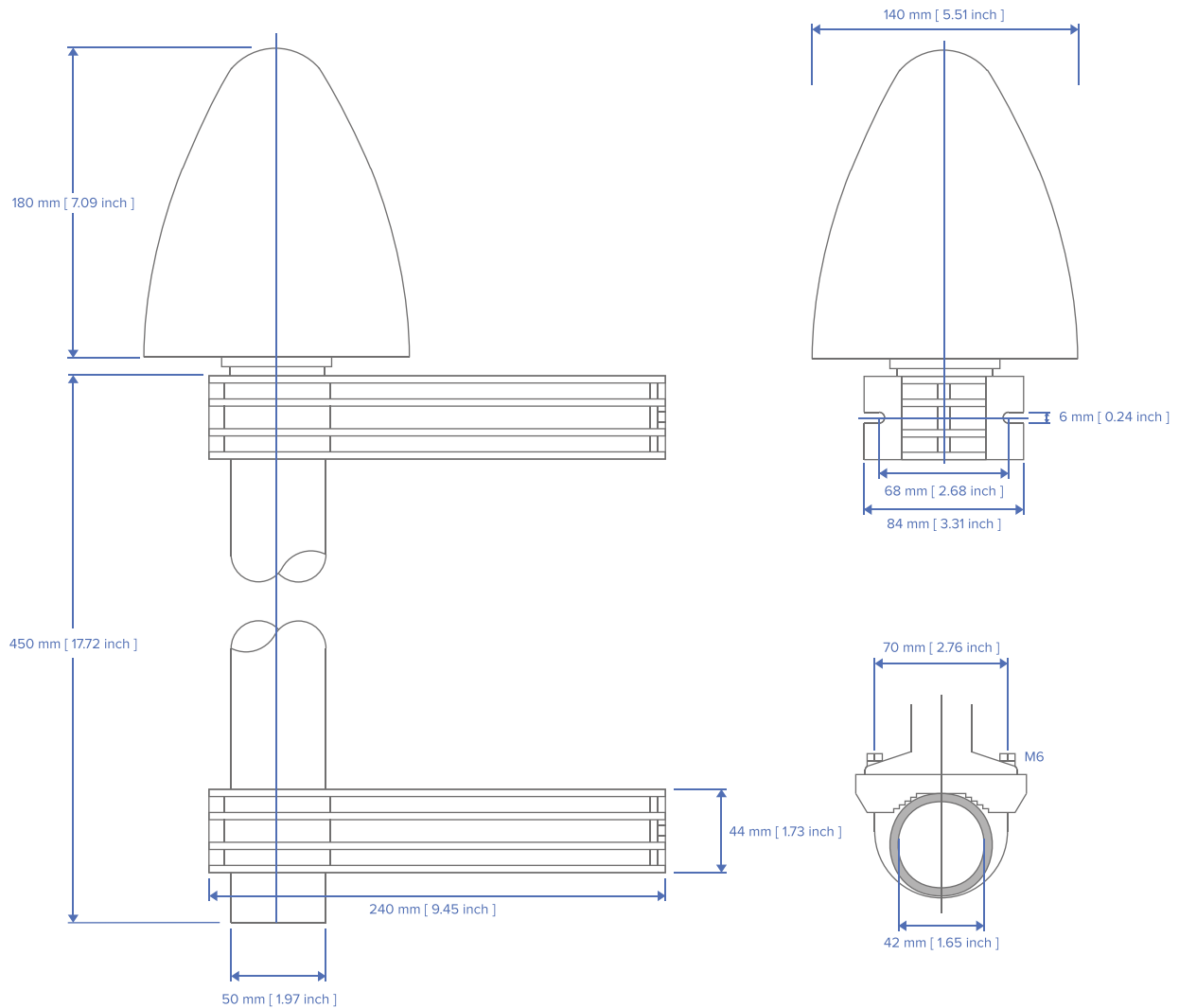
Warranty: Three-Year Warranty

RoHS-Status: This product is fully RoHS compliant

WEEE Status: This product is handled as a B2B category product. In order to secure a WEEE compliant waste disposal it has to be returned to the manufacturer.

Any transportation expenses for returning this product (at its end of life) have to be incurred by the end user, whereas Meinberg will bear the costs for the waste disposal itself.

Physical Dimensions



Scope of Delivery

Included in delivery is a Meinberg GNSS MULTI BAND Antenna incl. mounting kit, pre-assembled antenna cable and optional a Surge Voltage Protector MBG S-PRO.



Meinberg Funkuhren GmbH & Co. KG

Lange Wand 9

31812 Bad Pyrmont, Germany

Phone: +49 (0)5281 9309-0

Fax: +49 (0)5281 9309-230

Email: sales@meinberg.de

Web: www.meinberg.de | www.meinbergglobal.com